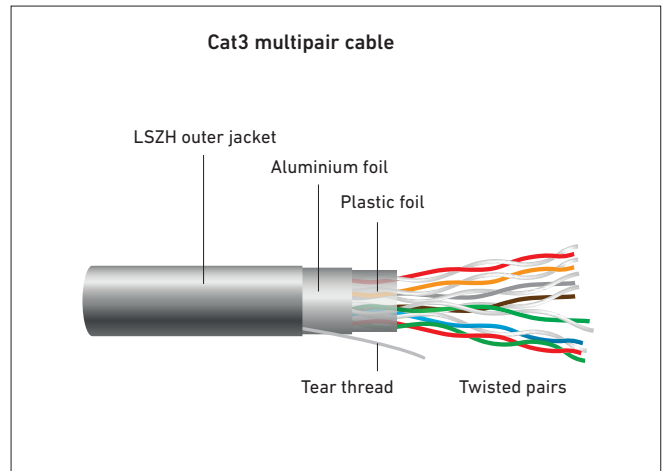
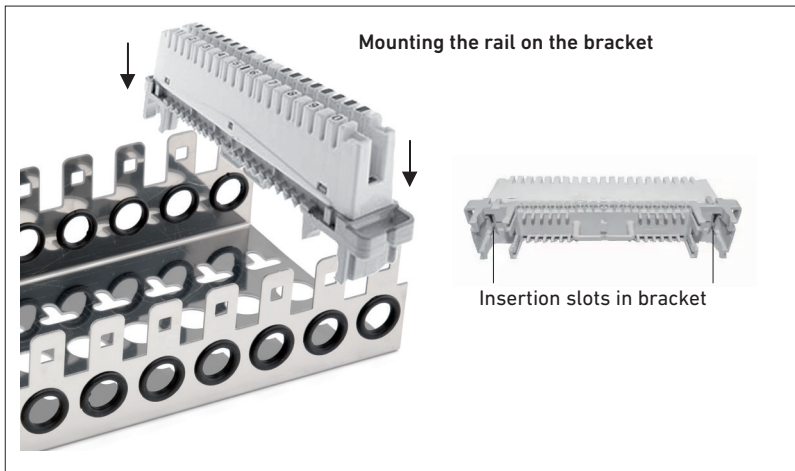


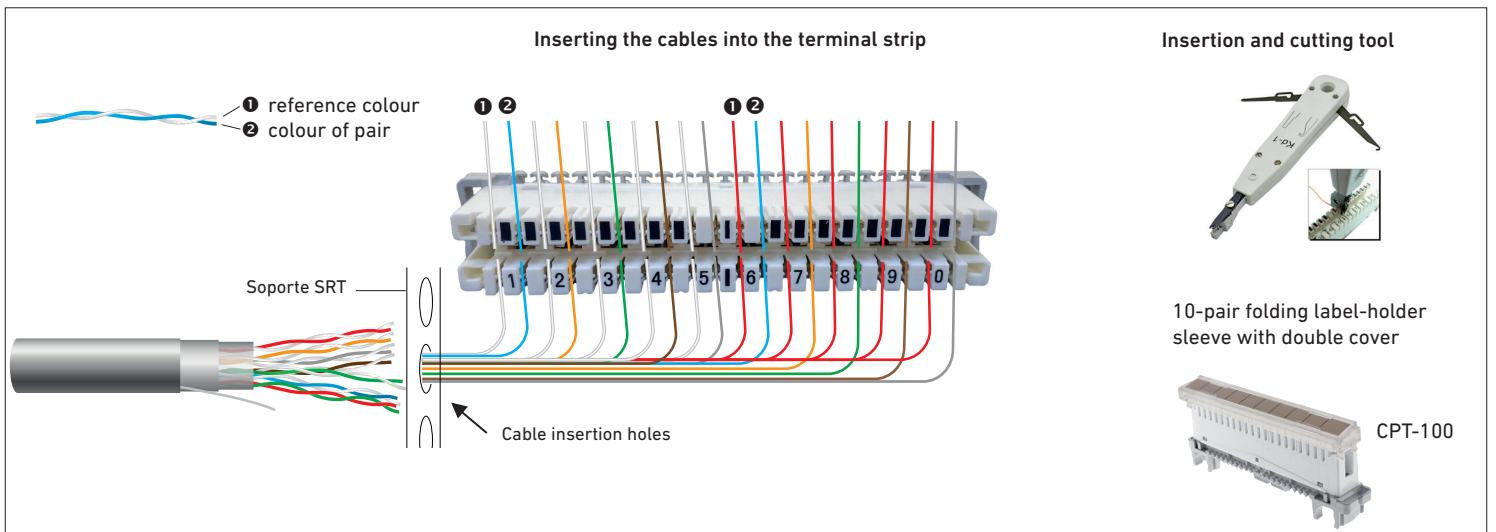
**RPT-005 (8255) ; RPT-010 (8256)**  
**SRT-005 (8257) ; SRT-010 (8258) ; SRT-100 (8259)**

**POWER STRIPS 5 AND 10 PAIRS**  
**CAT3 POWER STRIP BRACKETS**



**STEP 1.**  
 Insert the terminal strip into the bracket by matching the tabs of the SRT into the slots of the RPT until it "clicks".

**STEP 2.**  
 Remove the coverings from the multipair telephone hose until the twisted pairs are exposed.



**STEP 3.**  
 Untwist the cable pairs and insert them in each of the numbered positions, following the colour code (Note).

First the reference colour and then the par colour

|      |        |       |       |      |
|------|--------|-------|-------|------|
| Blue | White  | Green | Brown | Grey |
| Red  | Orange | Red   | Green | Red  |

*(Note) The pairs of wires should remain twisted for as long as possible and should be untwisted to the correct length. This is because twisting is precisely what prevents interference or keeps it to a minimum.*

**STEP 4.**  
 Use the tool to insert and cut the cable in a single operation, leaving the connection made.